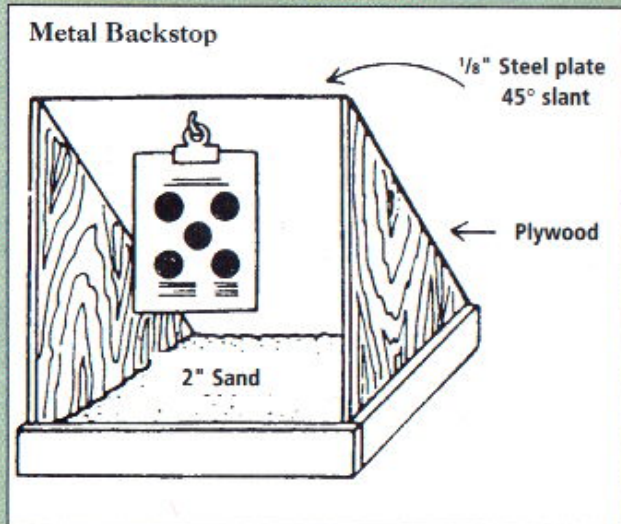
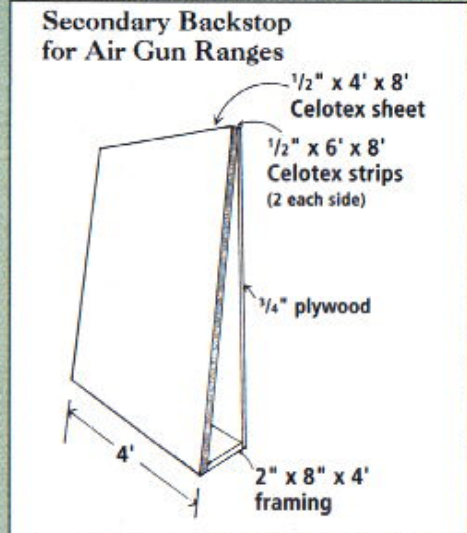


# INSTRUCTOR'S WORKSHOP

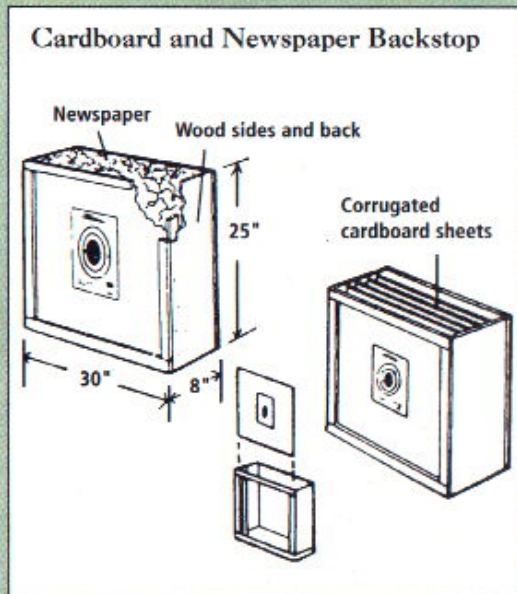
Indoor shooting ranges for airguns provide an excellent opportunity to conduct alternative live fire exercises with your hunter education classes. The following are plans provided by DAISY for various target traps and backstops to provide a safe indoor shooting experience.



A metal backstop very similar to commercial metal portable bullet stops. Excellent for home or club airgun use.



Fix Celotex to wood and to other pieces of Celotex with neoprene panel mastic. Do not use nails, except to hold pieces temporarily. Do not use any mastic other than neoprene base, such as one distributed by U.S. Plywood under the brand name "Weldwood Panel Mastic."



A custom-constructed box or just a plain heavy-duty cardboard packing box plus corrugated cardboard sheets and/or magazines are all that's needed for this backstop. If BBs are used, be sure to have corrugated cardboard rather than magazines immediately in back of the target as BBs tend to bounce off of fairly hard surfaces.

## Range Plan

